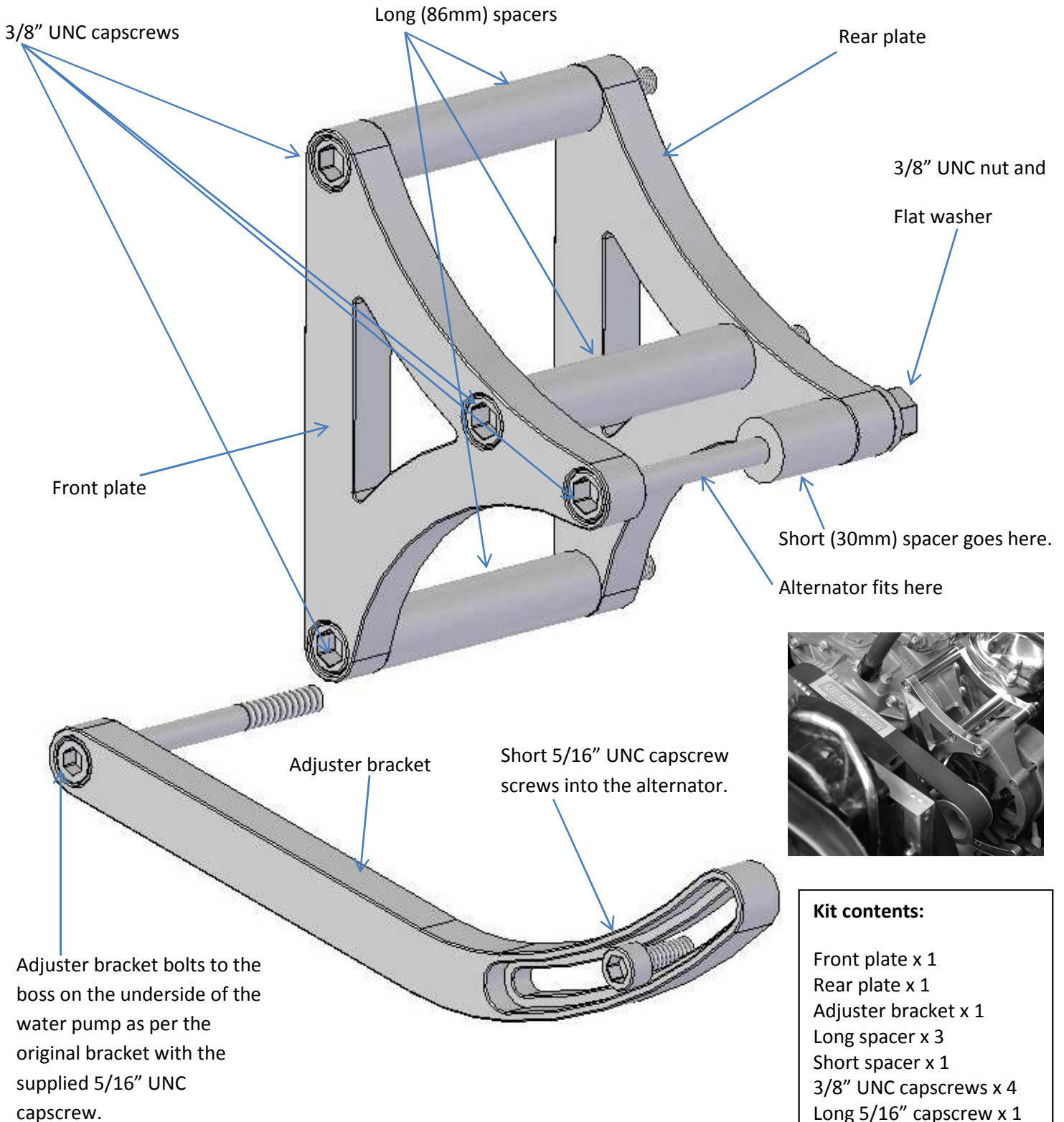




Holden V8 Alternator Bracket Kit

Part No: AF64-4025, AF64-4025BLK



Kit contents:

- Front plate x 1
- Rear plate x 1
- Adjuster bracket x 1
- Long spacer x 3
- Short spacer x 1
- 3/8" UNC capscrews x 4
- Long 5/16" capscrew x 1
- Short 5/16" capscrew x 1
- 3/8" UNC nut
- 3/8" flat washer

www.aeroflowperformance.com