



40 Huntingwood Drive Huntingwood NSW 2148

Phone: (02) 8825 1999 Website: www.aeroflowperformance.com

AEROFLOW PERFORMANCE

AUDI / VW FUEL PUMP

WARNING!

THIS PRODUCT REQUIRES DETAILED KNOWLEDGE OF AUTOMOTIVE SYSTEMS. WE RECOMMEND THAT THIS INSTALLATION BE CARRIED OUT BY A QUALIFIED AUTOMOTIVE TECHNICIAN.

INTRODUCTION

Congratulations on your purchase of Aeroflow Performance Audi/VW efi intake fuel pump. Aeroflow Performance products cannot and will not be responsible for any damage, or other conditions resulting from misapplication of the parts described herein. However, it is our intention to provide the best possible products for our customer, products that perform properly and satisfy your expectations. Should you have any questions? Please call technical support at +61 2 8825 1900 and have the product part number on hand when calling.

The Aeroflow Performance 265 LPH Hi-flow in-tank efi fuel pump is designed to fit in O.E.M modern European fuel tanks in the Audi and VW models that are all-wheel-drive configurations. Models include VW MK4 / MK5 R32 Golf as well as AUDI MK1 S3, MK2 S3, MK1 and MK2 but can also be used as a replacement low pressure fuel pump on the 2.0TSI and 2.0FSI engine equipped cars. This fuel pump maintains the same pick-up points including the compact outlet 90-degree angle barb end cap for all wheel drive models and the buckets fuel level location. No wiring is needed when fitting this pump as the connector matches factory wiring in Audi and VW. The quiet and reliable turbine impeller allows this fuel pump is to flow 265LPH (70GPH) @ 40PSI (2.75BAR). It is compatible with all fuels such as pump fuel and E85.

- Can be used in pulse modulated applications.
- Internal check valve
- Designed for in-tank use only
- Outlet barb is 90 degree 9.25mm or 3/8"
- Compatible with Unleaded, E85 and Methanol Fuels (Due to the dielectric properties of Alcohol fuel like E85, fuel pump service life will be reduced and filter maintenance must be increased.

This pump suits EFI electric In-tank setup. It is compatible of flowing 265 lph @ 40 PSI refer to chart below for fuel rates. It is rated for applications up to 500hp. Dimensions of this pump are 136mm (5-23/64") length and 50mm (2") diameter.

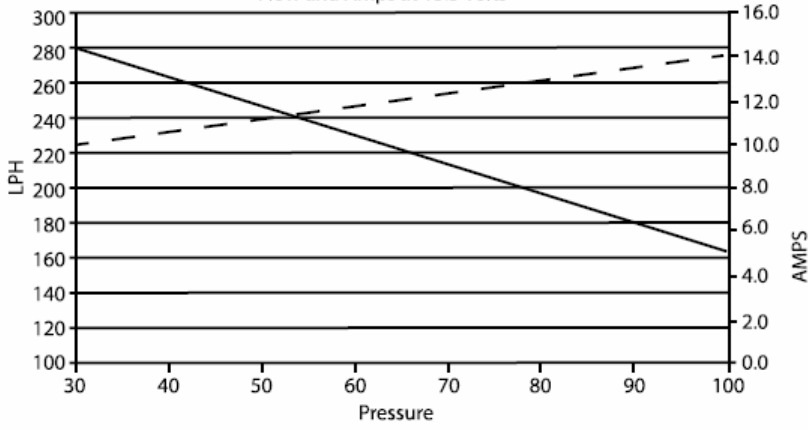
This fuel pump is alcohol and ethanol compatible. It is recommended if installing this product with these fuels that all other components are also rated to handle this type of fuel. Ensure the fuel filter is high flow and fuel lines are correct size for the application and are designed to handle the fuel being used. Also recommended due to the alcohol fuels breaking down rubber hoses and absorbing water too more frequently monitor, maintain and service all fuel components including fuel filters.

The factory fuel pump wiring may not be sufficient to handle the current draw of this fuel pump. Please update all wiring if necessary and add in a relay to ensure pump works correctly. If using the existing electrical plugs and wiring in vehicle ensure correct polarity is used on the new pump. If necessary, re-pin the existing one or use the included plug.

This fuel pump is only one component of your vehicles complete fuel system. Please ensure the vehicles complete fuel system is up to the task of supplying the right amount of fuel to your engine. Failure to do so may result in severe engine damage and damage to other related components.

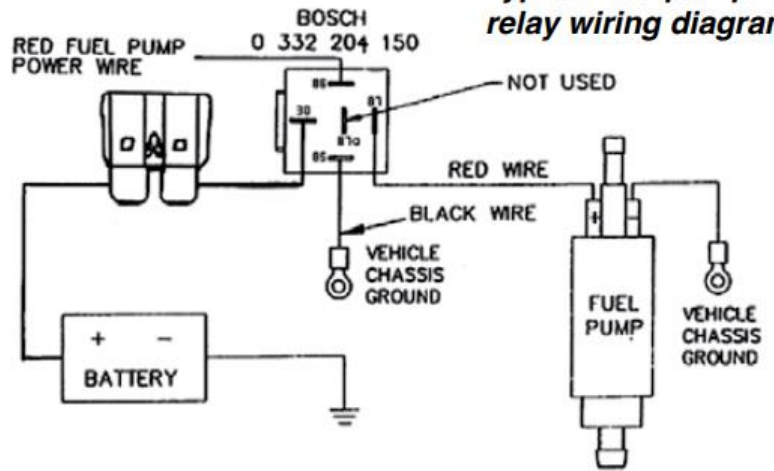
Failure to follow any of the above may result in fuel leakage, bursting of fuel lines, poor vehicle performance and/or decreased fuel pump life.

Flow and Amps at 13.5 volts



PSIG	30	40	50	60	70	80	90	100
AMP	10.0	10.5	11.2	11.5	12.2	12.7	13.4	14.1
LPH	280	265	250	235	215	200	180	165

Typical fuel pump relay wiring diagram



For more information or technical enquires

Contact: Aeroflow Performance on

Phone: (02) 8825 1979 Website: www.aeroflowperformance.com