



40 Huntingwood Drive Huntingwood NSW 2148

Phone: (02) 8825 1999 Website: www.aeroflowperformance.com

INSTALLATION MANUAL

AEROFLOW PERFORMANCE

THROTTLE CABLE

WARNING!

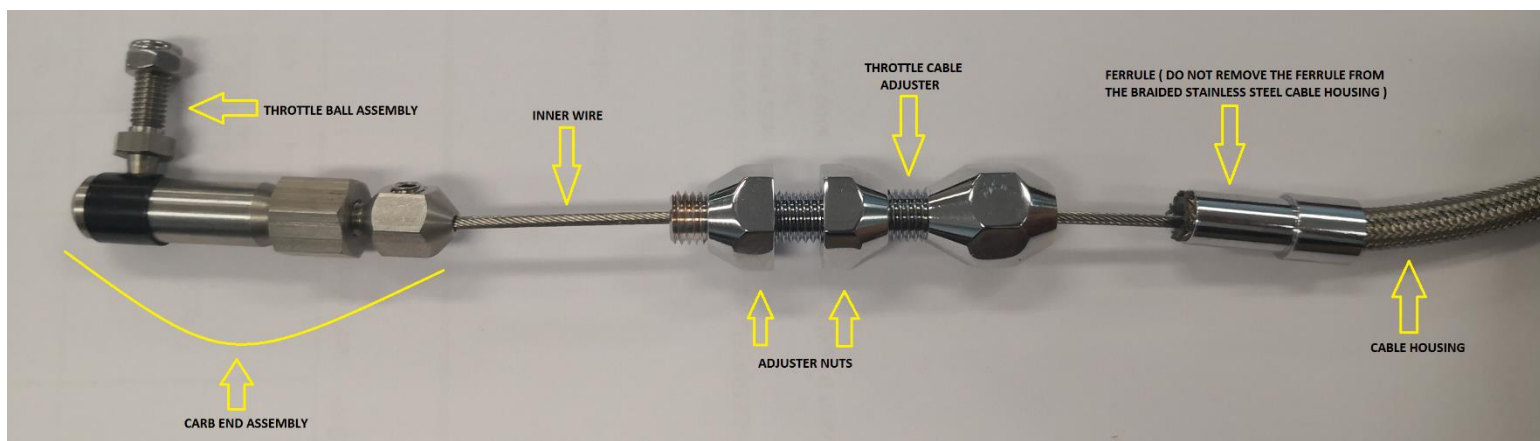
BEFORE PROCEEDING WITH INSTALLATION PLEASE READ INSTRUCTIONS CAREFULLY. THIS PRODUCT REQUIRES DETAILED KNOWLEDGE OF AUTOMOTIVE SYSTEMS. WE RECOMMEND THAT THIS INSTALLATION BE CARRIED OUT BY A QUALIFIED AUTOMOTIVE TECHNICIAN.

INTRODUCTION

Congratulations on your purchase of Aeroflow Performance universal throttle cable. Aeroflow Performance products cannot and will not be responsible for any damage, or other conditions resulting from misapplication of the parts described herein. However, it is our intention to provide the best possible products for our customer, products that perform properly and satisfy your expectations. Should you have any questions? Please call technical support at +61 2 8825 1900 and have the product part number on hand when calling.

WARNING

Before installation, please disconnect the negative battery cable and use wheel blocks to block the car from rolling. Do not attempt to install or adjust the throttle cable while the engine is running. Make sure that the engine, transmission, body and chassis of the car are properly grounded. We recommend the use of anti-seize lubricant on any aluminium threads.



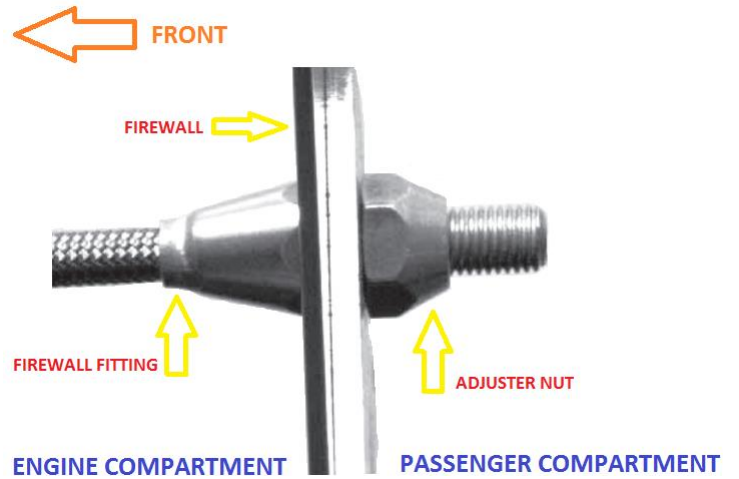
For more information or technical enquires

Contact: Aeroflow Performance on

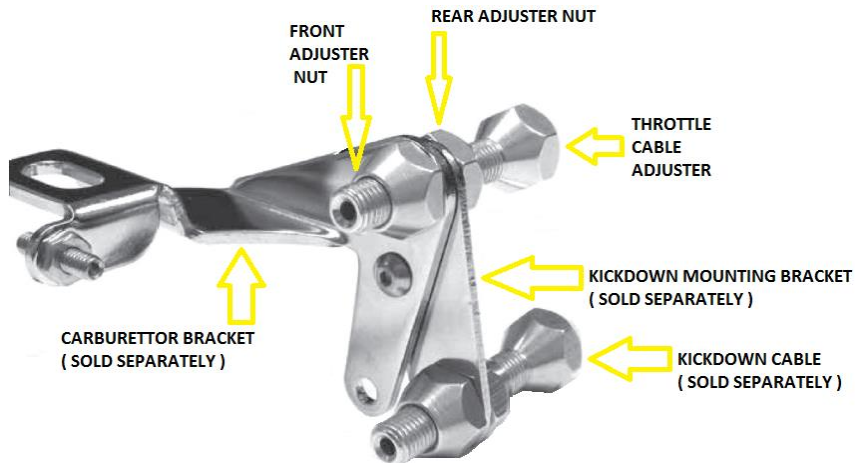
Phone: (02) 8825 1999 Website: www.aeroflowperformance.com

INSTALLATION GUIDELINES

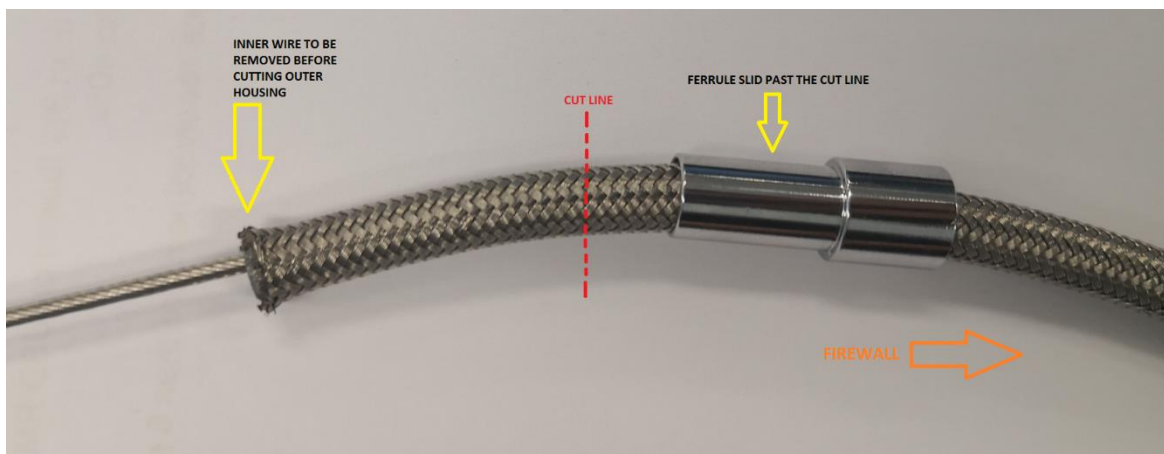
1. The throttle cable hole in the firewall must line up with the hole in the throttle pedal. Determine exactly where the throttle cable needs to pass through the firewall and drill a 5/16" hole.



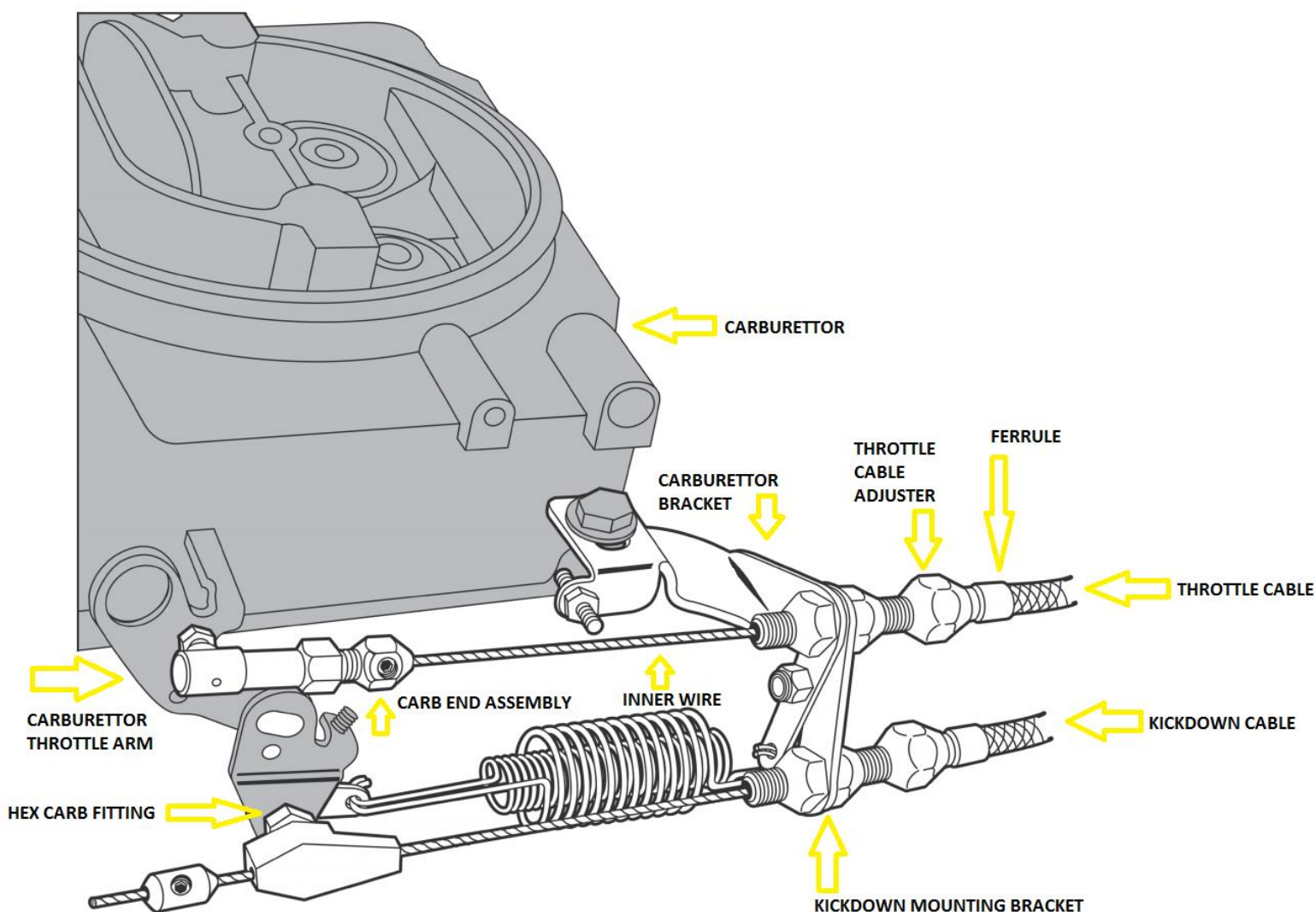
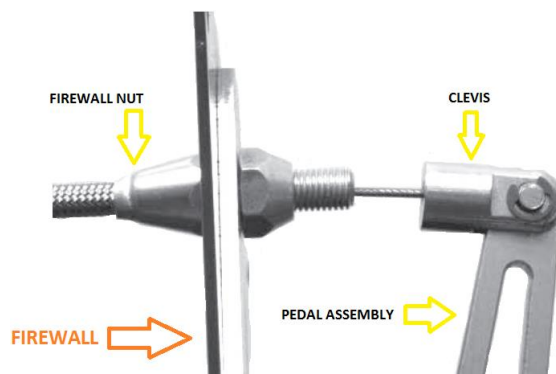
2. From the engine end of the Aeroflow throttle cable, remove the throttle cable adjuster and the carb end assembly. If the cable housing is braided stainless steel, DO NOT REMOVE the ferrule. Pull the inner wire out of the cable housing.
3. From the pedal end of the cable housing, remove the adjuster nut from the firewall fitting. Carefully insert the firewall fitting through the hole in the firewall from the engine side and reinstall the adjuster nut.
4. Remove the front adjuster nut from the throttle cable adjuster and insert the throttle cable adjuster into the carburettor bracket. If a kick down cable kit is being used, install the kick down mounting bracket onto the backside of the carburettor bracket first. Once this is done, position the rear adjuster nut so that the threaded part of the throttle cable adjuster is roughly centered in the carburettor bracket. Finally, reinstall the front adjuster nut.



5. Ensure that the inner wire is removed from the cable housing. If the cable is stainless braided, slide the ferrule up the housing towards the firewall away from the end that is being cut. DO NOT REMOVE the ferrule from the braided stainless housing. If the cable housing is black universal, remove the ferrule. Measure the distance between the cable adjusted and the firewall fitting. Measuring an additional 2" (50.4mm) to the length, mark the cable housing at this point. Ensure that the cable housing is NOT straight between the throttle cable adjuster and the firewall. There must be some slack to allow for some engine movement. If the throttle cable is a braided stainless one, wrap tape around the cable housing at the mark created and cut the cable with a hacksaw/cut-off wheel. Once the cable housing has been cut, put the ferrule back in place at the end of the cable housing. Then, insert the cable housing and ferrule back into the throttle cable adjuster.



6. Reinstall the inner wire into the cable housing from inside the passenger compartment. Ensure that you connect the clevis (or the ball end if the clevis has been removed) on the new Aeroflow throttle cable to the throttle pedal.
7. Attach the carburettor end assembly to the carburettor throttle arm and tighten the nyloc nut. Back it off slightly and just enough to be able to allow the carb end assemble to pivot freely. Adjust the carburettor end assembly so that approximately 3 or 4 of the adjustment threads are exposed. Then, cut the inner wire off so that roughly 1" of the inner wire remains inside the carburettor end assembly
8. Inserting the inner wire into the carb end assembly, pull all the slack out of the inner wire and tighten the set screw in the carburettor end assembly. Ensure that you check for proper operation of the throttle and adjust as necessary making sure that there is no binding in the throttle linkage and that the throttle returns to closed position when the pedal is released. Once the Throttle cable is installed, make sure that the throttle pedal is completely floored when the throttle is wide open. If the throttle pedal is not completely floored at wide open throttle, you will need to either adjust the pedal itself or install a pedal stop.



Throttle Cable shown with Aeroflow Carburettor Bracket and Springs AF42-1104 and Kickdown Kit (Sold Separately)

For more information or technical enquires

Contact: Aeroflow Performance on

Phone: (02) 8825 1979 Website: www.aeroflowperformance.com