



40 Huntingwood Drive Huntingwood NSW 2148

Phone: (02) 8825 1999 Website: [www.aeroflowperformance.com](http://www.aeroflowperformance.com)

# INSTALLATION MANUAL

## AEROFLOW PERFORMANCE

### FIREWALL FEED THROUGH

## WARNING!

BEFORE PROCEEDING WITH INSTALLATION PLEASE READ INSTRUCTIONS CAREFULLY. THIS PRODUCT REQUIRES DETAILED KNOWLEDGE OF AUTOMOTIVE SYSTEMS. WE RECOMMEND THAT THIS INSTALLATION BE CARRIED OUT BY A QUALIFIED AUTOMOTIVE TECHNICIAN.

### INTRODUCTION

Congratulations on your purchase of Aeroflow Performance firewall feed through. Aeroflow Performance products cannot and will not be responsible for any damage, or other conditions resulting from misapplication of the parts described herein. However, it is our intention to provide the best possible products for our customer, products that perform properly and satisfy your expectations. Should you have any questions? Please call technical support at +61 2 8825 1900 and have the product part number on hand when calling.

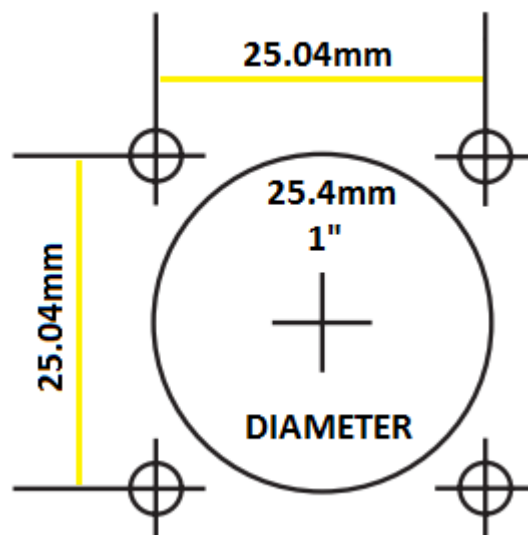
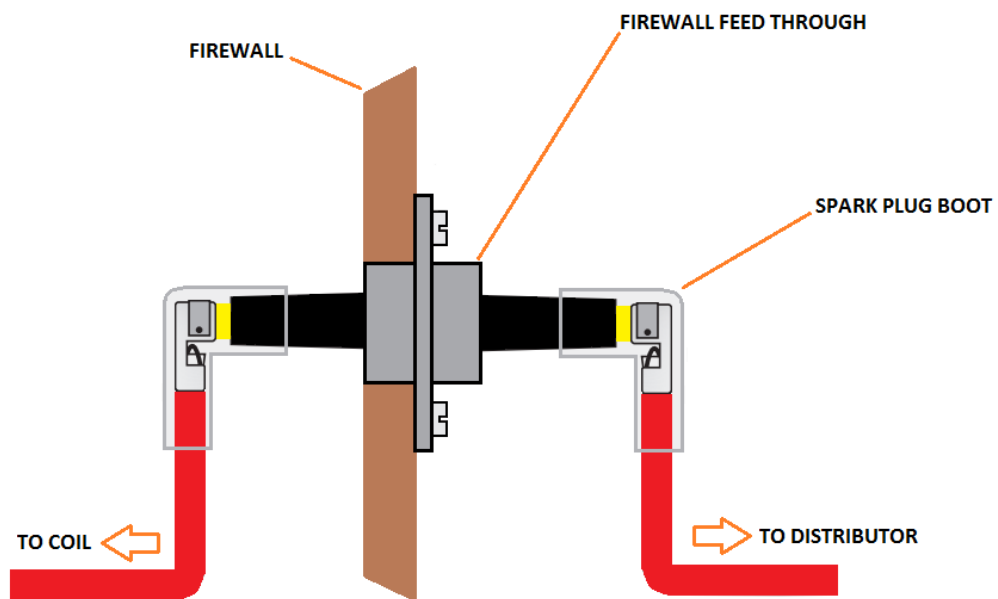
### INSTALLATION INSTRUCTIONS

1. Choose a clear and flat location on the firewall to mount the firewall feed through. Ensure that it is away from any extreme heat temperatures such as exhaust systems.
  1. **NOTE** : the shorter the coil wire is the less chance for spark loss
2. At the centre of the chosen location, make a 25.4mm ( 1" ) diameter hole using a hole-saw.
3. Place the firewall feed through in the 25.4mm ( 1" ) hole and mark the centres of the 4 mounting holes with a punch.
4. If the firewall is thick enough (1/4" or more), you can drill the 4 holes and then tap them for screws. If the firewall is thinner than 1/4" you will have to use screws with nuts on the back to secure the firewall feed through.
5. Install the firewall feed through in the 25.4mm ( 1" ) hole using the mounting method that you selected in step 4. The flange can go either side of the firewall as long as it seats against a flat surface. When you tighten the screws be careful not to overtighten that can crush the plastic. Place a little silicon on the flange before tightening the screws to seal the firewall.
6. Connect one coil wire from the distributor to the firewall feed through and another coil wire from the feed through to the coil. You must use 90-degree spark plug style boots and terminals (Sold Separately) for connections on both ends of the firewall feed through.

*For more information or technical enquires*

*Contact: Aeroflow Performance on*

Phone: (02) 8825 1979 Website: [www.aeroflowperformance.com](http://www.aeroflowperformance.com)



*For more information or technical enquires*

*Contact: Aeroflow Performance on*

*Phone: (02) 8825 1979 Website: [www.aeroflowperformance.com](http://www.aeroflowperformance.com)*